



Installation Guide - Traditional Wall Hung Towel Rails

1. Overview

This guide provides instructions for the following configurations:

1. Central Heating System installed on Masonry Walls.
2. Dual Fuel installed on Masonry Walls
3. Electric Only installed on Masonry Walls



IMPORTANT NOTE: Please read the guide in full before attempting installation. It is also recommended that you read the User Manual and Warranty Document prior to installing.

IMPORTANT NOTE: These instructions cater for Masonry Walls that are assumed to be sufficiently strong, while it may be possible to install into other wall types, the installation engineer will need to adapt the instructions and fixings to suit the location that the radiator/towel rail is being installed in.

WARNING: The installation of any electric element must be carried out by a registered competent electrician.

2. Contents of Package

The contents of your package will include 1 x Radiator and the below items. Please check that these parts are included, if there is anything missing, please contact your retailer for further assistance.

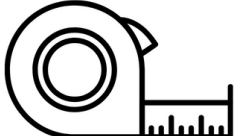


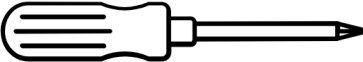

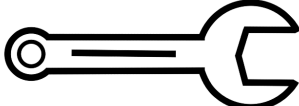

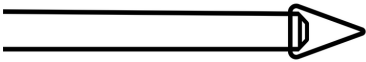
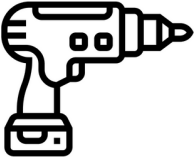

Contents (included)	Description	Reference	Contents (included)	Description	Reference
	12 x Masonry Wall Plugs	A		12 x Long Screws	B

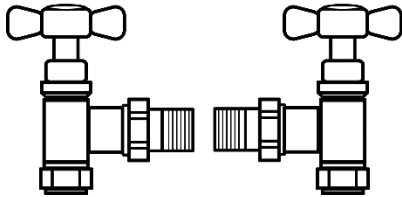
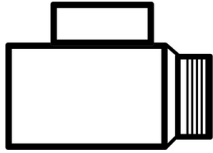
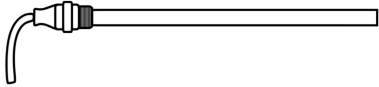
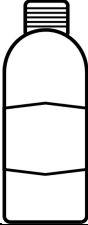
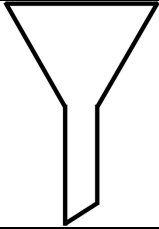
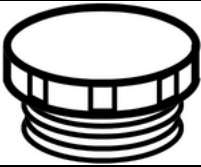

3. Tools and Parts Required

The following tools and parts may be required dependant on installation location.

These are not included as part of the radiator/towel rail package, although some may have been purchased at the same time.

Note: where images are provided for the below, they are simply visual aid examples and may not reflect exactly the part or tool you are using.

Tool / Part	Description	Installation Type
	Measuring Tape	All
	Pencil	All
	PTFE Tape	All
	Phillips Screwdriver (cross head)	All
	Flat Head Screwdriver	All
	Spanner	All
	8mm Masonry Drill Bit	All
	Tile and Glass Drill Bit	If the wall is tiled, you may need to use one of these prior to using the masonry drill bit.
	Electric Drill	All
	Spirit Level	All

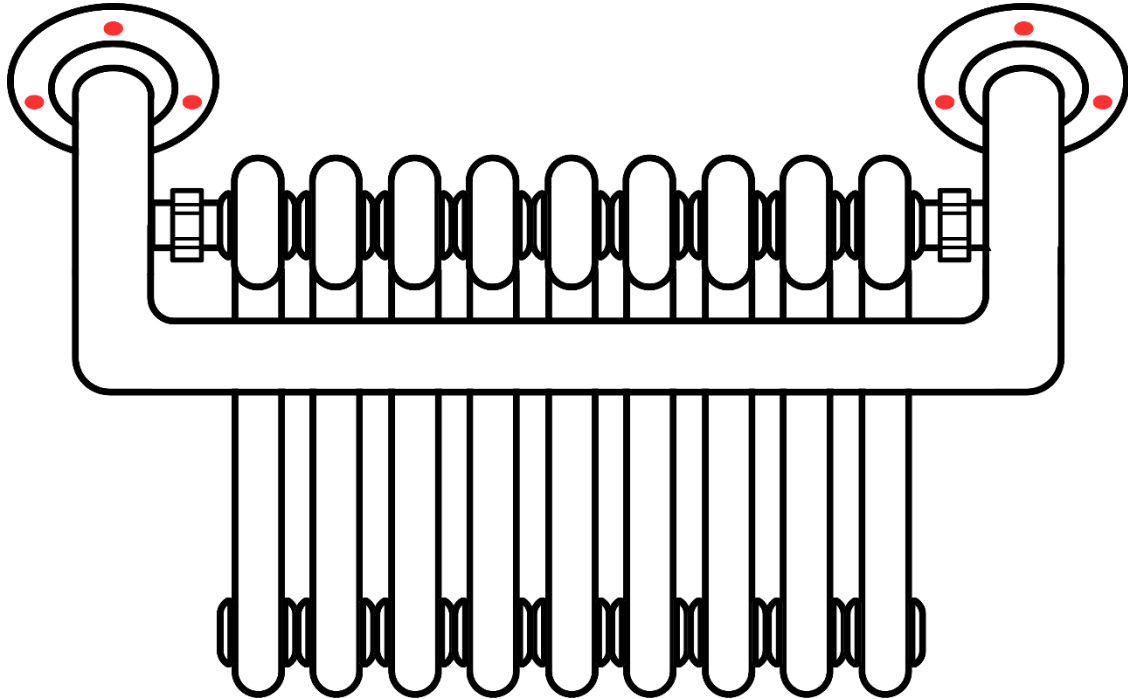
	<p>Manual or Thermostatic Valves</p>	<p>Central Heating and Dual Fuel Installations</p>
	<p>T-Piece</p>	<p>Dual Fuel Installations</p>
	<p>Electric Element</p>	<p>Dual Fuel and Electric Only Installations</p>
	<p>Electric Only Fluid</p>	<p>Electric Only Installations</p>
	<p>Funnel</p>	<p>Electric Only Installations</p>
	<p>Additional Blanking Plug</p>	<p>Electric Only Installations</p>
	<p>Clean Cloth</p>	<p>All</p>

4. Central Heating Installation

Step 1

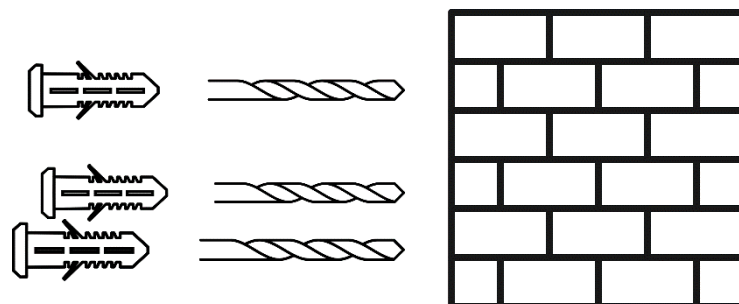
Align your radiator in the desired position in the room, using a spirit level to ensure that the radiator is level.

At each of the drilling locations highlighted below, mark 3 drill points with a pencil, 6 in total.

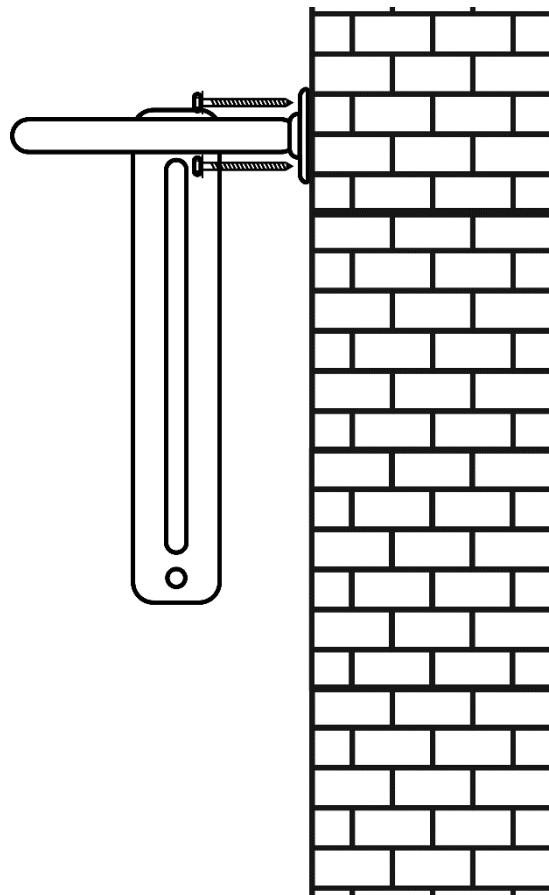


Using the drill and 8mm masonry drill bit, drill a hole in the marked locations (Note: on tiles walls you may need to use a tile drill prior to masonry).

Insert wall plugs (A) in each hole - 6 in total.

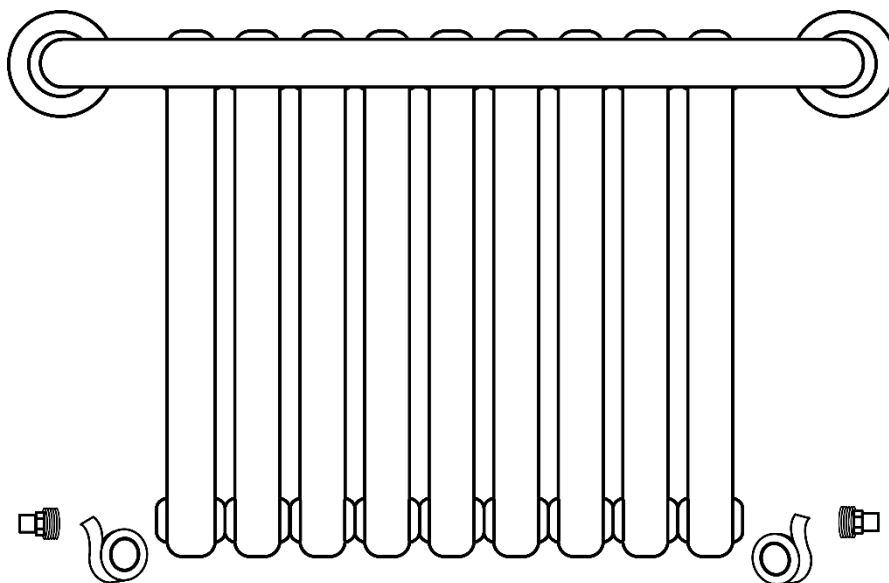


Re-align the radiator and using the long screws (B) attach the radiator to the wall and floor.



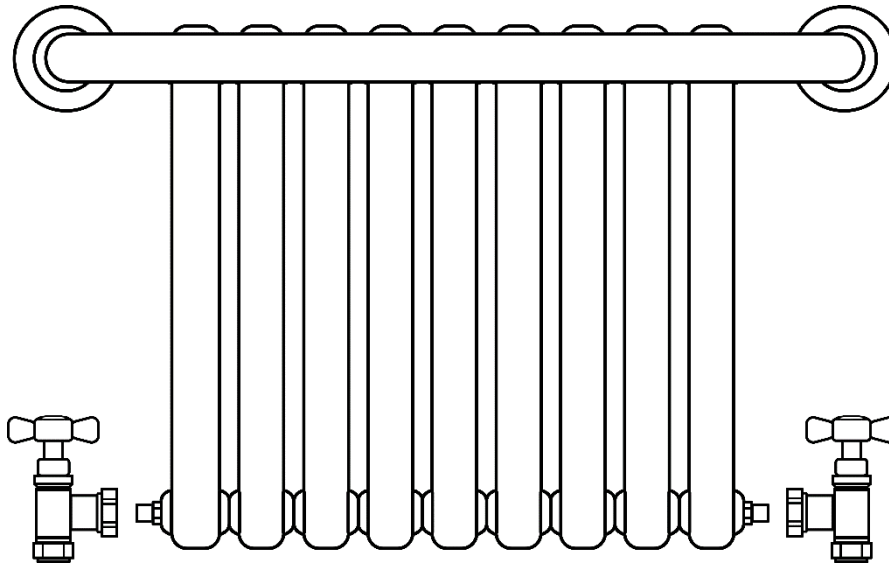
Step 2

(Check valve instructions) - If appropriate, apply PTFE tape to valve tails and insert into bottom 2 threads of the radiator and tighten with a spanner.



Step 3

You are now ready to run, adjust and connect your piping and valve to the radiator valve tail inserted into the radiator during step 2.



Step 4

Prior to operating the radiator, you may need to flush the system to clear any residue.

Step 5

Prior to operating the radiator, please review the User Manual.

Step 6

When the heating system is turned on for the first time, you may need to bleed the radiator using the air vent installed on the top thread per step 1. You may need to do this several times and if on a pressurised system, you may need to top up the pressure each time the radiator is bled.

Step 7

You may also need to balance the central heating system to account for this radiator.

Step 8

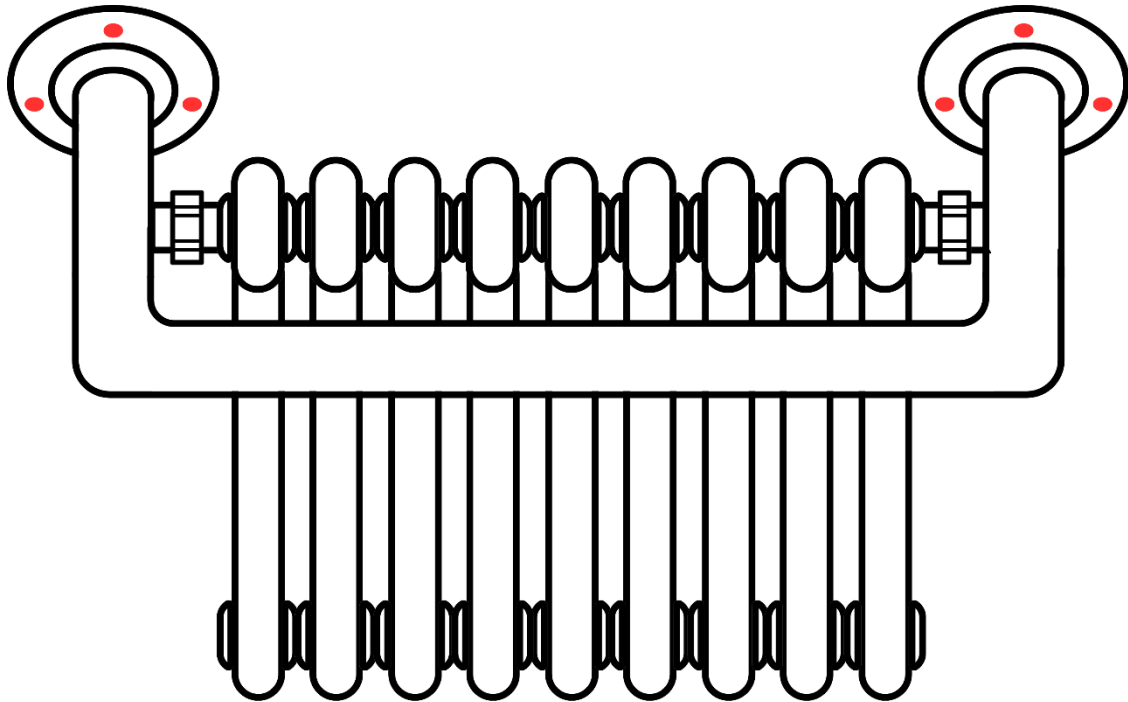
If there are any issues with the radiator, please first consult the User Manual including the troubleshooting section.

5. Dual Fuel Heating Installation

Step 1

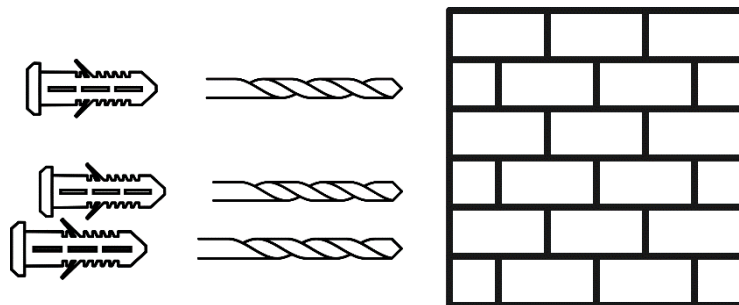
Align your radiator in the desired position in the room, using a spirit level to ensure that the radiator is level.

At each of the drilling locations highlighted below, mark 3 drill points with a pencil (per 1a), 6 in total.

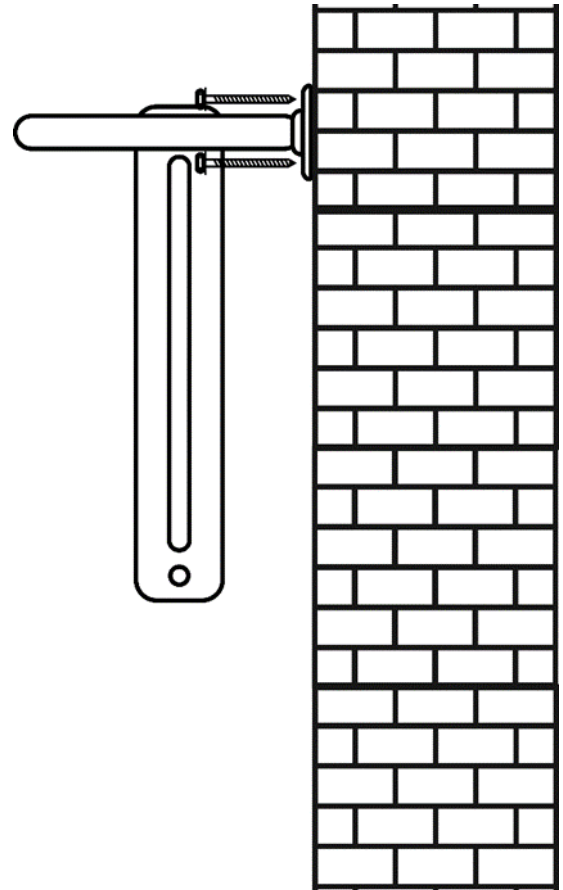


Using the drill and 8mm masonry drill bit, drill a hole in the marked locations (Note: on tiles walls you may need to use a tile drill prior to masonry).

Insert wall plugs (A) in each hole - 6 in total.



Re-align the radiator and using the long screws (B) attach the radiator to the wall and floor.

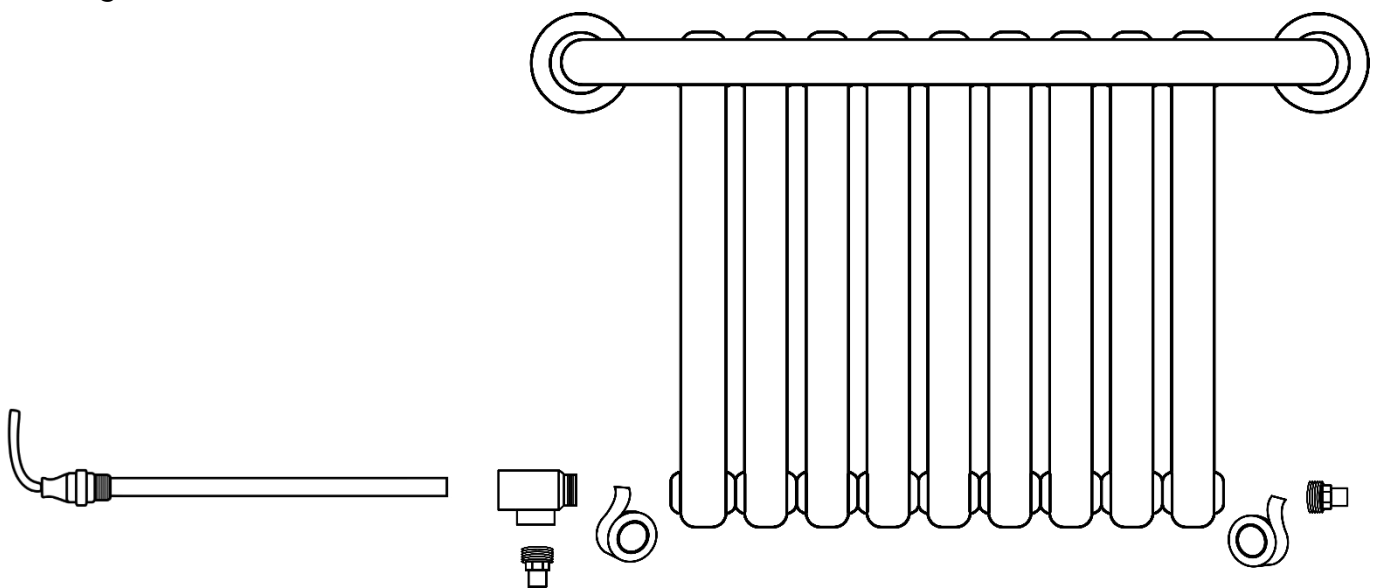


Step 2

(Check element instructions) - If appropriate, apply PTFE tape to T-Piece and insert into one side of the bottom of radiator and tighten with a spanner.

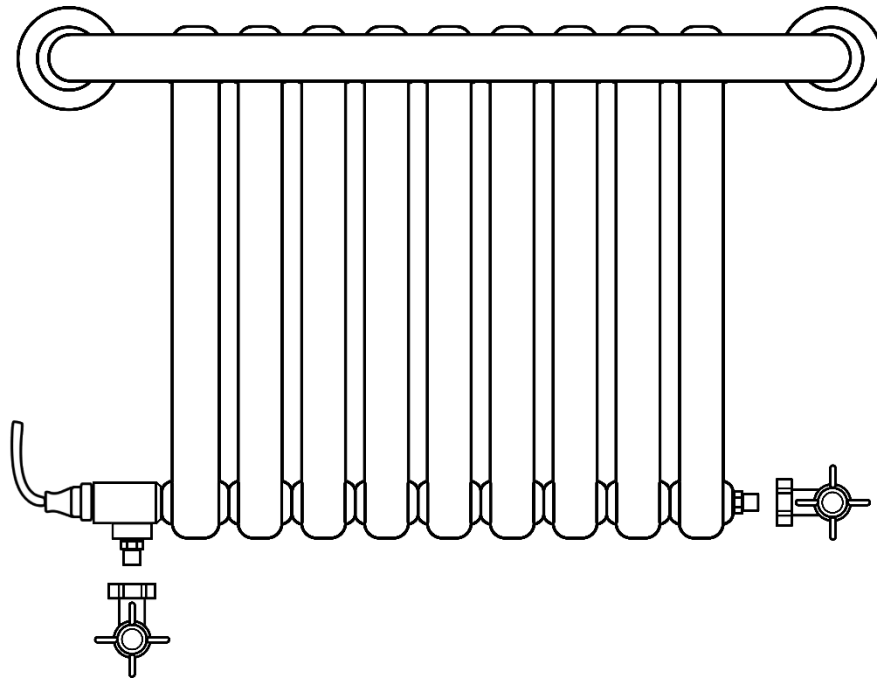
Insert Electric Element per the element instructions.

On the other side, if appropriate, apply PTFE tape to the valve tail, insert and tighten.



Step 3

You are now ready to run, adjust and connect your piping and valves to the radiator valve tails inserted into the radiator during step 2. Check your valve instructions as required.



WARNING: The installation of any electric element and connection to electricity supply must be carried out by a registered competent electrician. Please refer to the element installation guide for further instructions.

Step 4

Prior to operating the radiator, you may need to flush the system to clear any residue.

Step 5

Prior to operating the radiator, please review the User Manual for both the radiator and the electric element in place.

Step 6

When the heating system is turned on for the first time, you may need to bleed the radiator using the air vent installed on the top thread. You may need to do this several times and if on a pressurised system, you may need to top up the pressure each time the radiator is bled.

Step 7

You may also need to balance the central heating system to account for this radiator.

Step 8

If there are any issues with the radiator, please first consult the User Manual including the troubleshooting section. For any issues with the electric element, please consult the User Manual for that product.

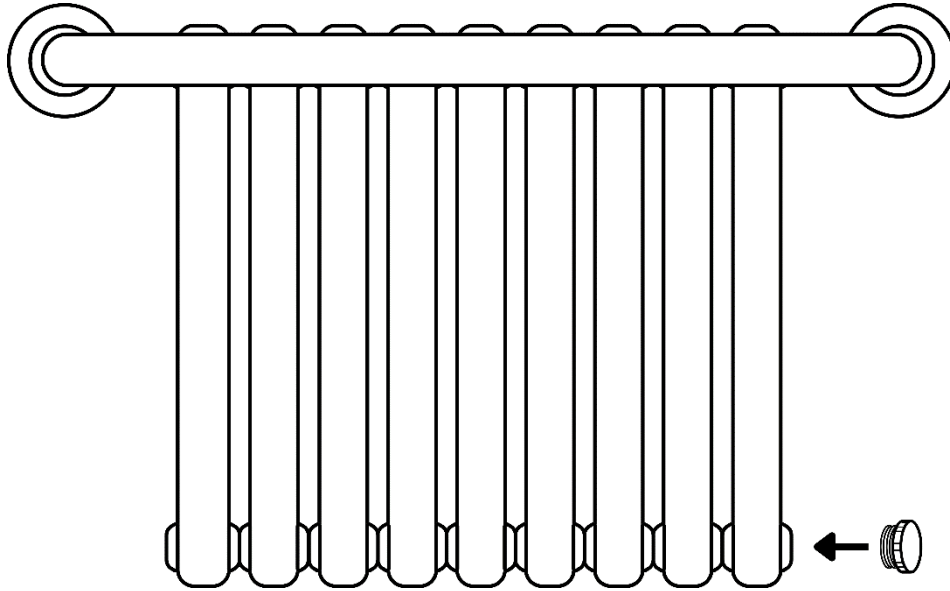
Step 9

There may be further steps to complete the installation of the electric element, such as WiFi connection or time of day configuration, please refer to the electric element user guide for how to do this.

6. Electric Only Installation

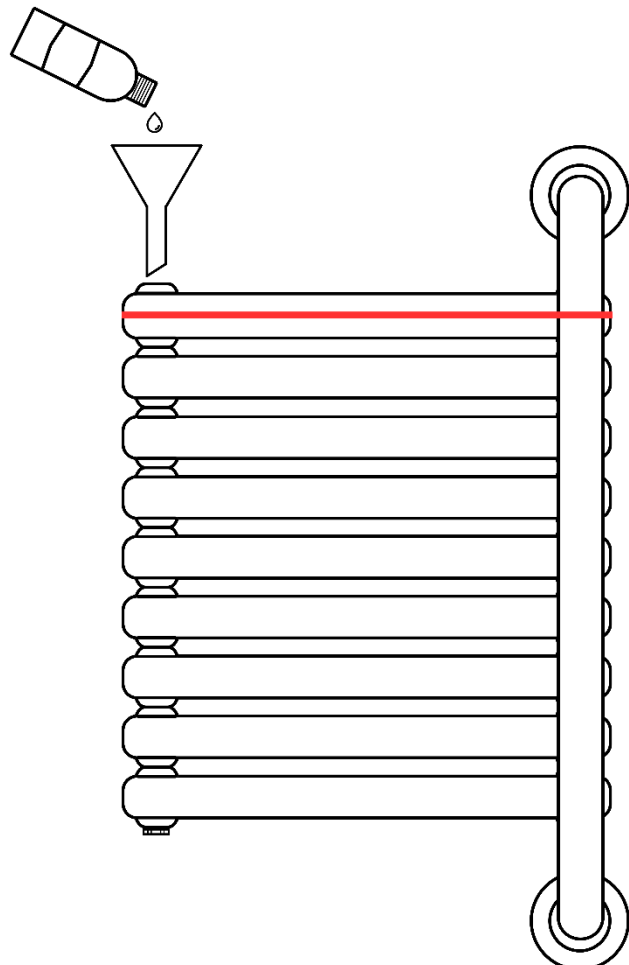
Step 1

On the opposite bottom side that you want the electric element, Apply PTFE tape to the blanking plug, insert and tighten.

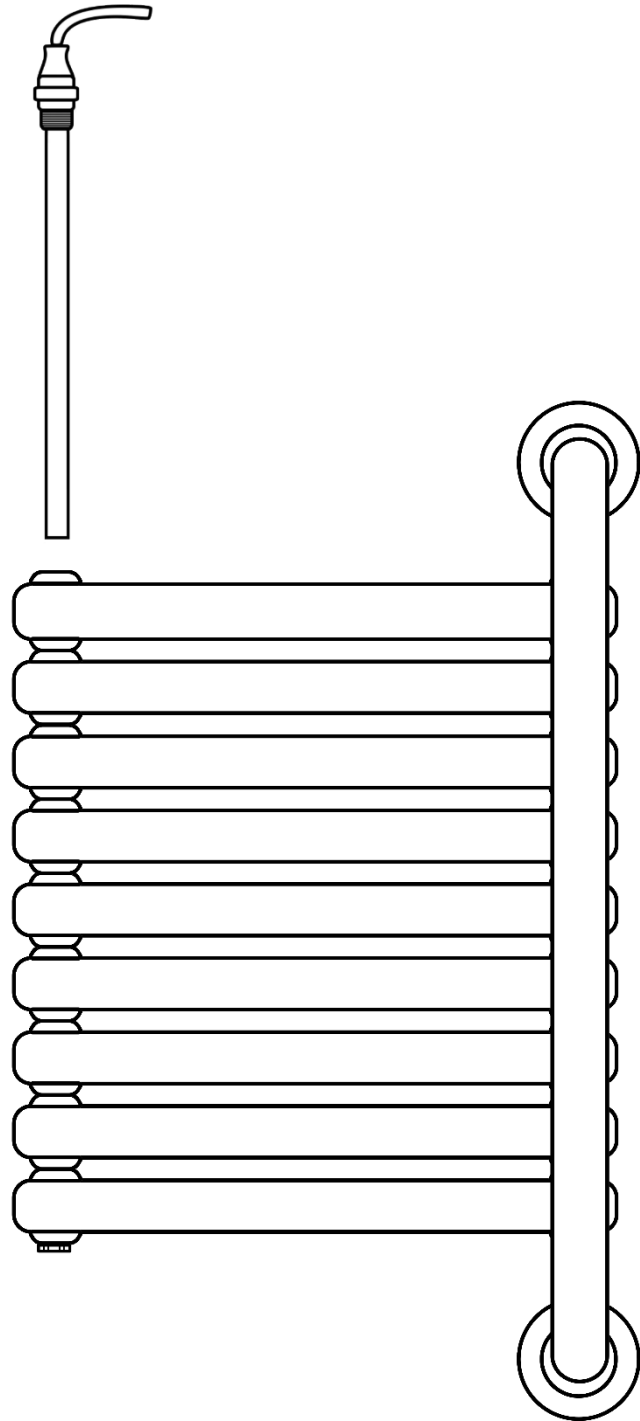


Step 2

Using the Funnel, pour in the heating solution and fill the rest of the way with water to the red line below.



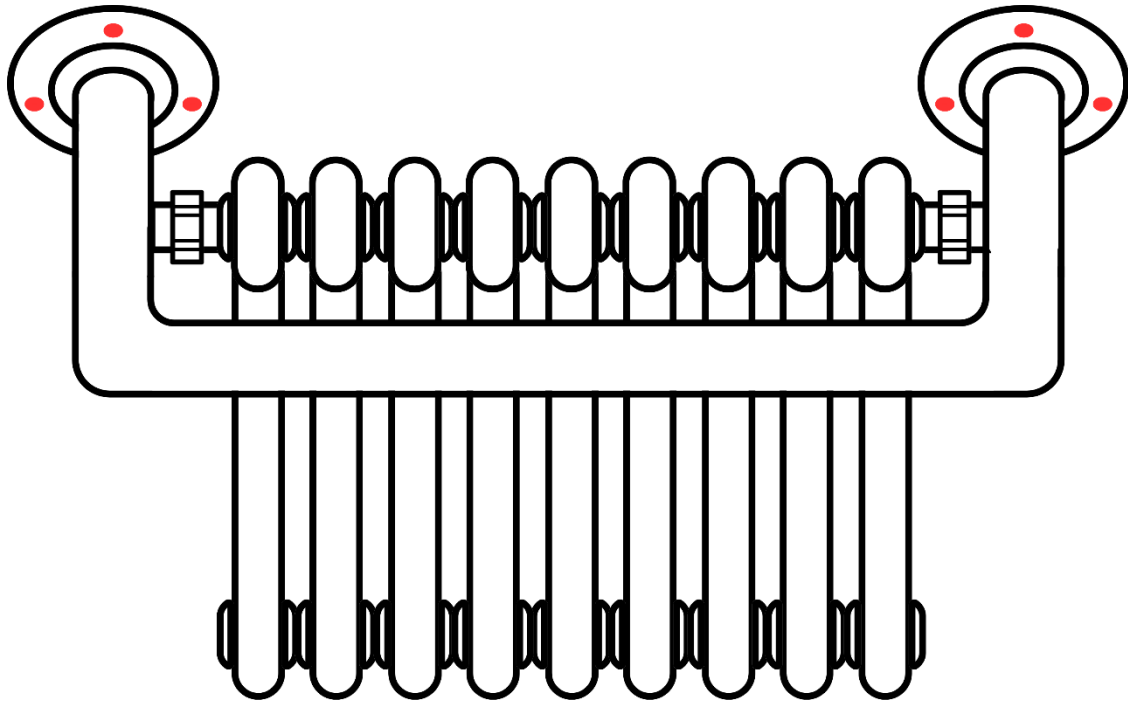
Using the electric element instructions, insert the Element to the same location, being careful to manage any spillage that may occur.



Step 3

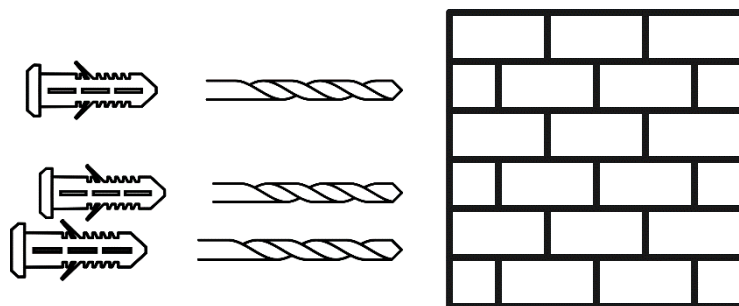
Align your radiator in the desired position.

At each of the drilling locations highlighted below, mark 3 drill points with a pencil, 6 in total.

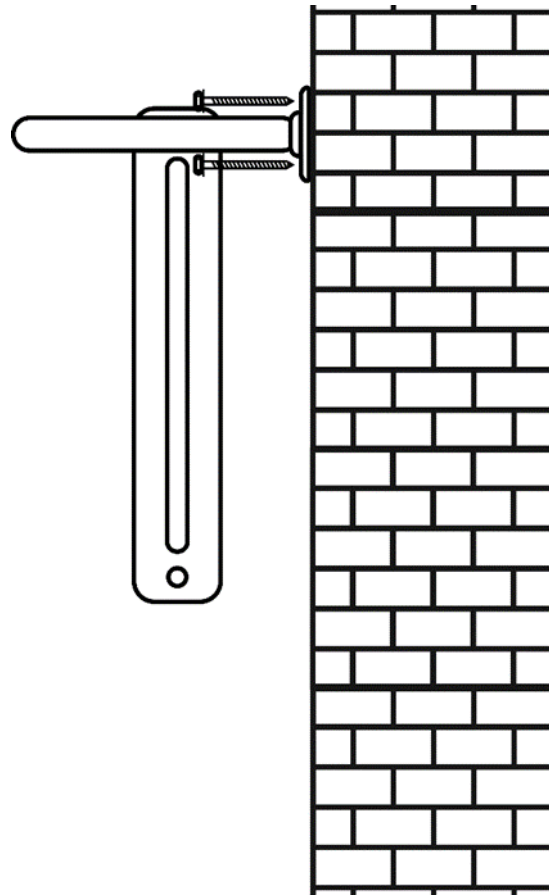


Using the drill and 8mm masonry drill bit, drill a hole in the marked locations (Note: on tiles walls you may need to use a tile drill prior to masonry).

Insert wall plugs (A) in each hole - 6 in total.

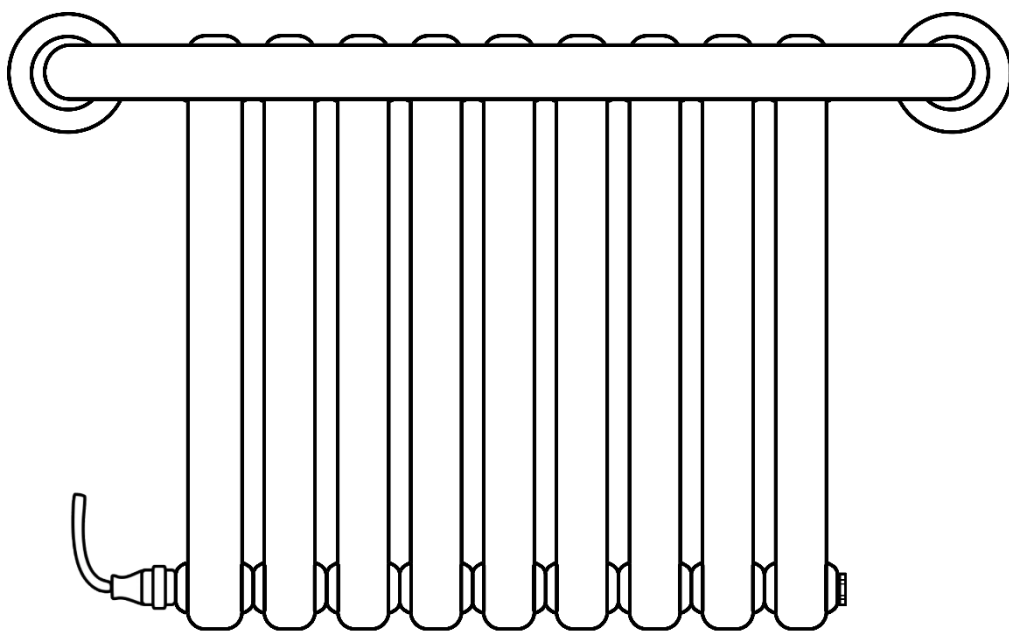


Re-align the radiator and using the long screws (B) attach the radiator to the wall and floor.



Step 4

You are now ready to connect the heating element to the electrical supply.



WARNING: The installation of any electric element and connection to electricity supply must be carried out by a registered competent electrician. Please refer to the element installation guide for further instructions.

Step 5

Prior to operating the radiator, please review the User Manual for both the radiator and the Electric element in place.

Step 6

If there are any issues with the radiator, please first consult the User Manual including the troubleshooting section. For any issues with the electric element, please consult the User Manual for that product.

Step 7

There may be further steps to complete the installation of the electric element, such as WiFi connection or time of day configuration, please refer to the electric element user guide for how to do this.