

# Installation Guide – Hook Hung Designer Radiators

## 1. Overview

This guide provides instructions for the following configurations of hook hung radiators.

### 1. Central Heating System and Radiator installed on Masonry Walls.







**IMPORTANT NOTE:** Please read the guide in full before attempting installation. It is also recommended that you read the User Manual and Warranty Document prior to installing.

**IMPORTANT NOTE:** We recommend the installation of this radiator is carried out by two people.

**IMPORTANT NOTE:** These instructions cater for Masonry Walls that are assumed to be sufficiently strong, while it may be possible to install into other wall types, the installation engineer will need to adapt the instructions and fixings to suit the location that the radiator/towel rail is being installed in.

## 2. Contents of Package

The contents of your package will include 1 x Radiator and the below items. Please check that these parts are included, if there is anything missing, please contact your retailer for further assistance.

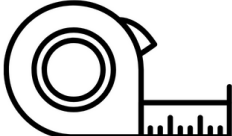


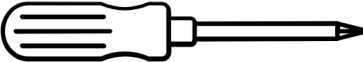

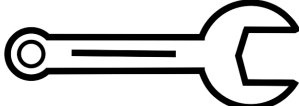

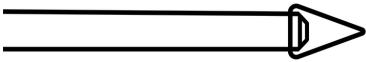
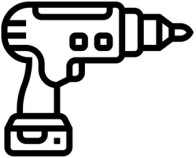

| Contents (included)   | Description                | Reference | Contents (included)  | Description      | Reference |
|---|----------------------------|-----------|--|------------------|-----------|
|  | 1 x Blanking Plug          | A         |  | 8 x Long Screws  | D         |
|  | 1 x Air Vent (Bleed Valve) | B         |  | 4 x Hooks        | E         |
|   | 8 x Masonry Wall Plugs     | C         |  | 2 x Rubber Rings | F         |

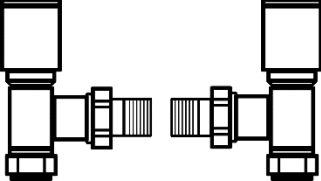

### 3. Tools and Parts Required

The following tools and parts may be required dependant on installation location.

These are not included as part of the radiator package, although some may have been purchased at the same time.

Note: where images are provided for the below, they are simply visual aid examples and may not reflect exactly the part or tool you are using.

| Tool / Part   | Description                       | Installation Type  |
|---|-----------------------------------|--|
|    | Measuring Tape                    | All  |
|    | Pencil                            | All  |
|    | PTFE Tape                         | All  |
|  | Phillips Screwdriver (cross head) | All  |
|  | Flat Head Screwdriver             | All  |
|  | Spanner                           | All  |
|  | 8mm Masonry Drill Bit             | All  |
|  | Tile and Glass Drill Bit          | If the wall is tiled, you may need to use one of these prior to using the masonry drill bit. |
|  | Electric Drill                    | All  |
|  | Spirit Level                      | All  |

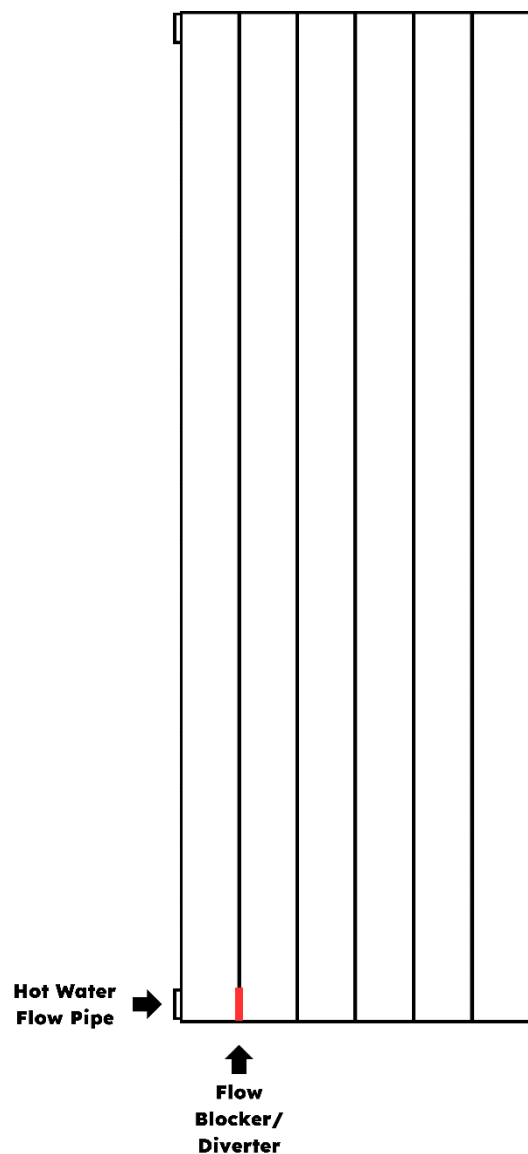
|   |  |            |
|---|--|------------|
|  A technical line drawing of two manual or thermostatic valves. Each valve has a rectangular handle on top and a threaded stem extending downwards. The two valves are connected to each other via a central horizontal pipe with a union fitting. | <p>Manual or Thermostatic<br/>Valves</p> | <p>All</p> |
|  A simple line drawing of a rectangular cloth with rounded corners and a few lines indicating its texture or folds.  | <p>Clean Cloth</p>                       | <p>All</p> |

## 4. Locating the Flow Blocker

Vertical radiators have a flow blocker to help the water circulate around the radiator accounting for the additional height. This makes them work just as well as horizontal radiators.

The side with the flow diverter is usually marked with a small sticker, however, in the instance that this is not on the radiator, look into the connection points (a light source may be needed).

When the radiator is mounted, the block should be on the hot water flow side of the radiator.

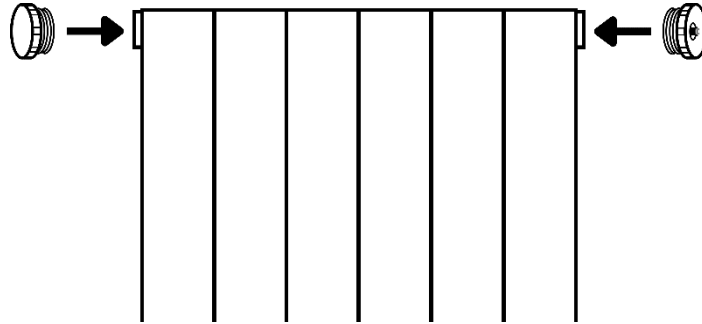


## 5. Central Heating Installation

Remove any end caps from the top and bottom of the radiator.

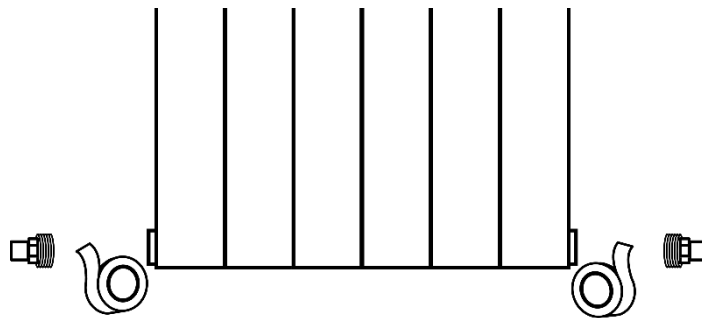
### Step 1

Attach rubber rings (F) (if not already applied) and apply PTFE tape to blanking plug (A) and air vent (B). Insert into top 2 threads of radiator, cover with a cloth to prevent damage to the radiator and tighten with spanner.



### Step 2

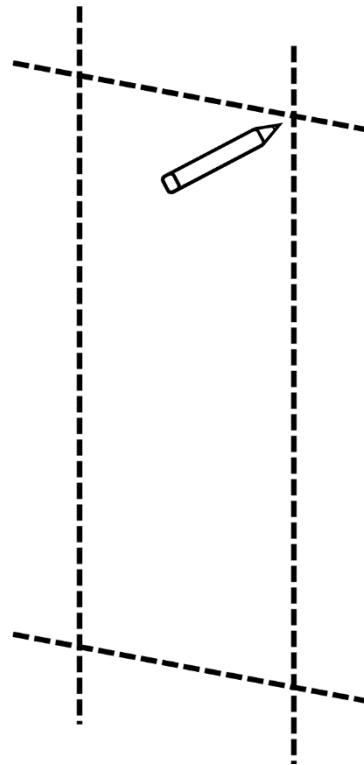
(Check Valve Instructions) - If appropriate, apply PTFE tape to valve tails and insert into bottom 2 threads of radiator and tighten with a spanner.



### Step 3

In your desired location, mark the 2 drill points for each of the 4 hooks (E) using a pencil. These should install at least 1 column from either end, the brackets go around the column.

Ensure your markings are level using a spirit level before proceeding.

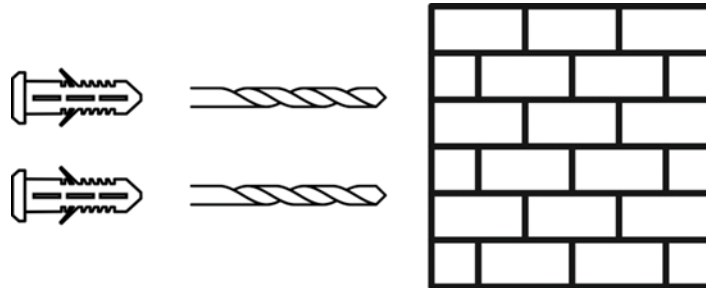


#### Step 4

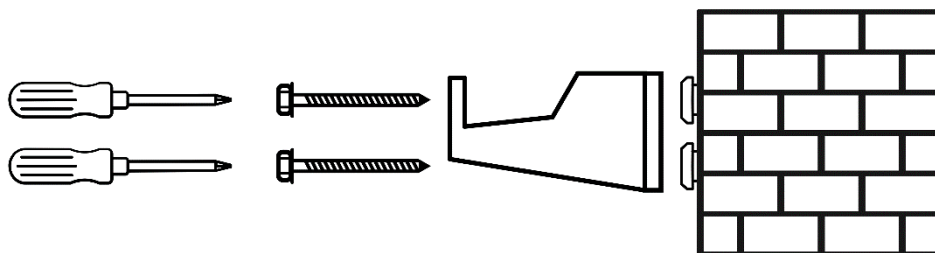
Using the drill and 8mm masonry drill bit, drill a hole in the 2 marked locations for each hook (E).

(Note: on tiled walls you may need to use a tile drill bit prior to masonry).

Insert the 2 wall plugs (C) for each hook.



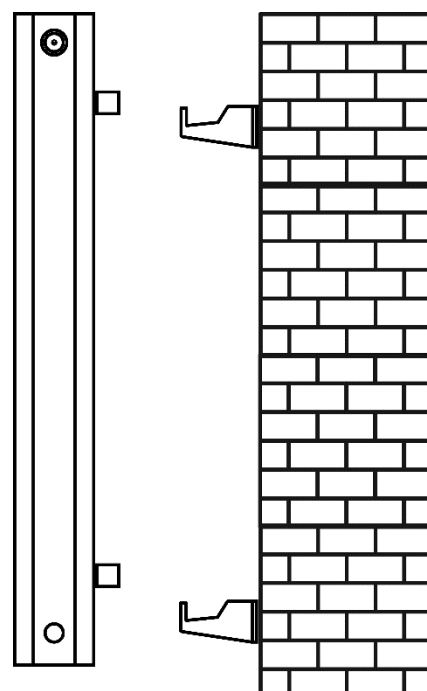
Insert the 2 screws (D) for each hook. Fully tighten the 2 screws for the top 2 hooks, and partially tighten the 2 screws for the bottom 2 hooks.



#### Step 5

Hang the radiator on the top 2 hooks.

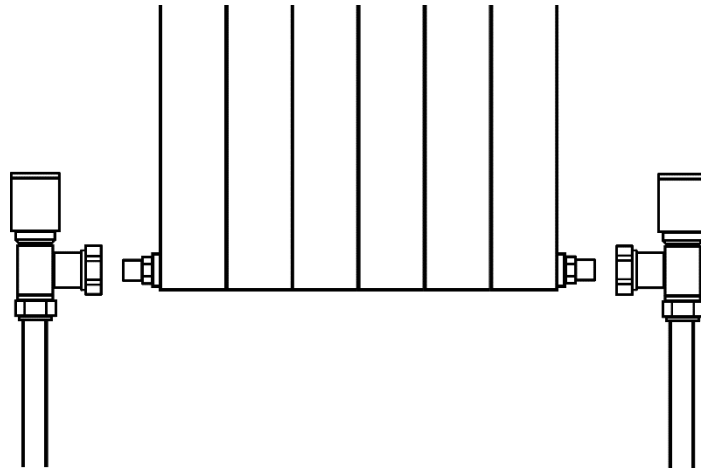
Adjust the bottom 2 hooks and fully tighten the 2 screws with a spanner.





### Step 6

You are now ready to run, adjust and connect your piping and valve to the radiator valve tail inserted into the radiator during step 2.



### Step 7

Prior to operating the radiator, you may need to flush the system to clear any residue.

### Step 8

Prior to operating the radiator, please review the User Manual.

### Step 9

When the heating system is turned on for the first time, you may need to bleed the radiator using the air vent installed on the top thread per step 1. You may need to do this several times and if on a pressurised system, you may need to top up the pressure each time the radiator is bled.

### Step 10

You may also need to balance the central heating system to account for this radiator.

### Step 11

If there are any issues with the radiator, please first consult the User Manual including the troubleshooting section.